



TSURUMI PUMP

Float Switches

MC
MF
RF



Level Sensor MC

for sensing water levels



Features

- Simple structure made of a ball float with a shock absorber wrapped around it
- Rugged construction withstanding impact from collision with the tank walls or piping
- Assures trouble-free operations in the water containing any types of suspended solids including scum-filled wastewater
- Switching on and off can be made at steadier angle than mercury type float switches
- Contacts switchable, "a" (normally-open) or "b" (normally-close), at will

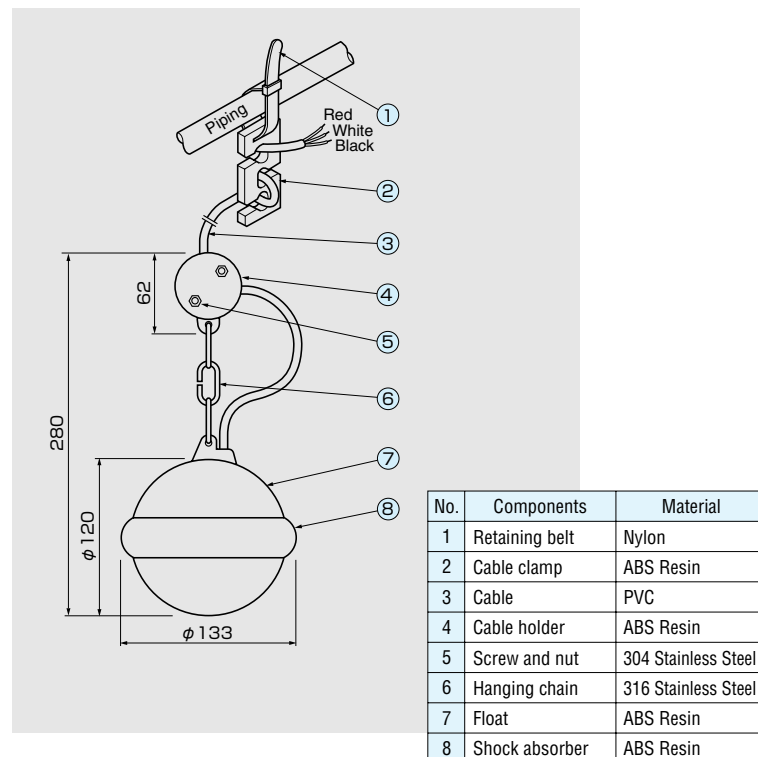
Applications

- Automatic pumping of the wastewater containing lots of scum and suspended solids
- For sensing alert water levels like high water level or lower water level

Conductor color	In the air	Submerged	Contact
Red-Black	off (open)	on (closed)	"a" (normally-open)
Red-White	on (closed)	off (open)	"b" (normally-close)

In the air		Submerged	
White B	Black A	White B	Black A

Dimensions and Structure (mm)



Standard Specifications

Model		MC-2
Electric characteristics	Breaking capacity	50VA AC
	Max. current	2A AC
	Working voltage	30V AC
Switch	Contact	c ³⁰
	Type	Microswitch
Mechanical characteristics	Proof pressure (static)	98kPa (1.0 kgf/cm ²)
	Working temperature range	0 to 50°C
Cable	Cores × area	3 × 0.75mm ²
	Outside diameter	7.6mm
	Standard length	6, 10, 15, 20, 25, 30m
Weight	1,087g (Float only)	

※ Usable either at contact "a" (normally-open) or contact "b" (normally-close).

Mini-Float Sensor MF

for sensing water levels



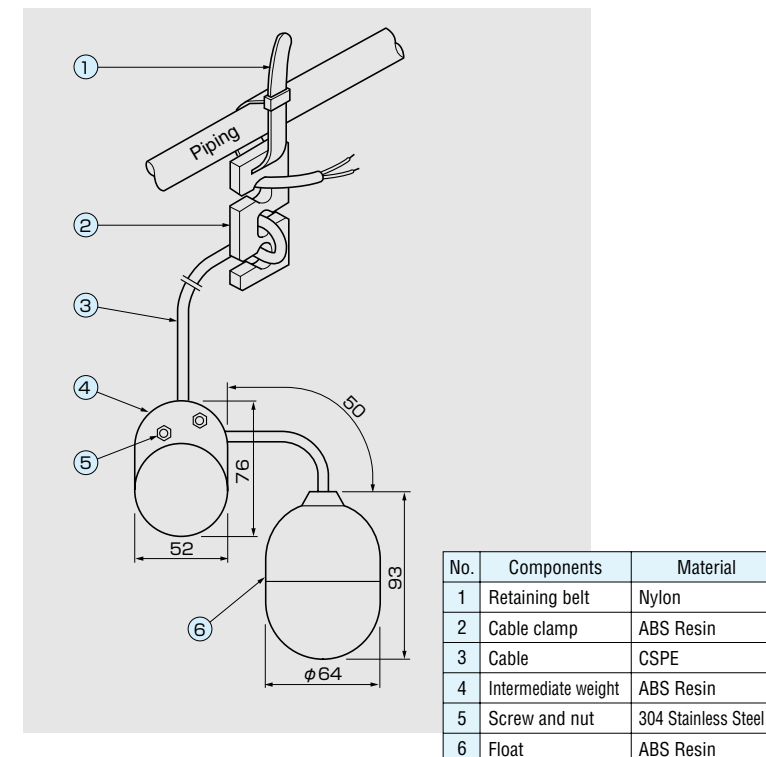
Features

- Float cut down to the smallest possible size
- Available in two types; contact "a" (normally-open) and contact "b" (normally-close)
- Ideal for a maximum/minimum water-level alert system
- Two floats usable in case the sensor is connected to the control panel for automatic pump operations

Applications

- Automatic pumping of water, wastewater, etc.
- Ideal for sensing alert water levels like high water level or lower water level

Dimensions and Structure (mm)



Standard Specifications

Model		MF-3	
		MF-3A	MF-3B
Electric characteristics	Breaking capacity	50VA AC	
	Max. current	2A AC	
	Working voltage	30V AC	
Switch	Contact	"a" (normally-open)	"b" (normally-close)
	Type	Microswitch	
Mechanical characteristics	Proof pressure (static)	98kPa (1.0 kgf/cm ²)	
	Working temperature range	0 to 50°C	
Cable	Cores × area	2 × 0.3mm ²	
	Outside diameter	5.3mm	
	Standard length	6, 10, 15, 20, 25, 30m	
Weight	98g (Float only)		